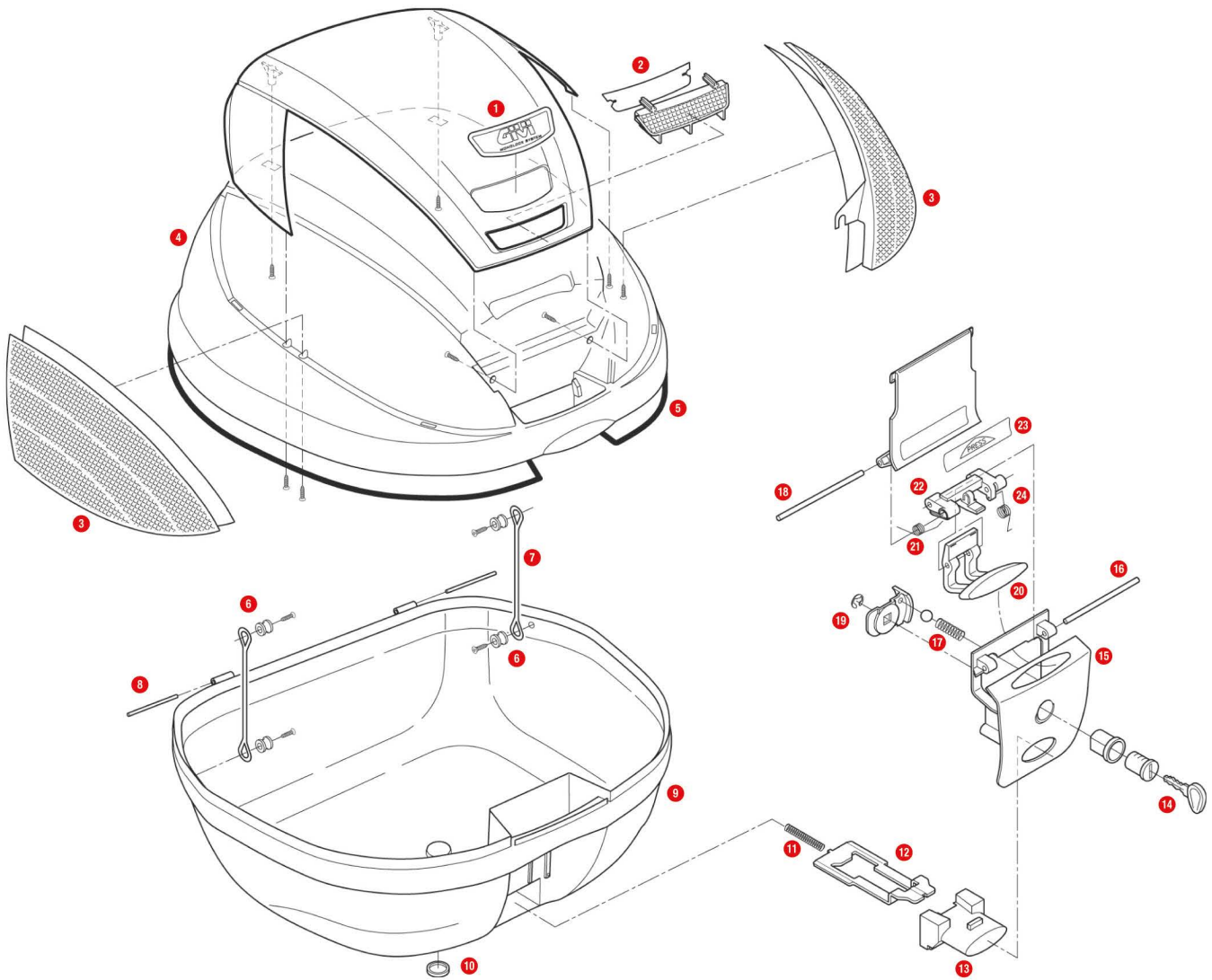


## E370 / E370 TECH



1	Z1294R	E470 GIVI logo, 1 pcs
2	Z750R	Top-case reflector, red
	Z750TR	Top-case smoked reflector, (for E370 Tech)
3	Z1383R	Top-case reflectors, right and left (only for E370)
	Z1383TR	Smoked reflectors (right and left), 1 kit (only for E370 Tech)
4	Z370CNR	E370 top-shell black, 1 pcs.
	Z370CNTM	E370 Tech assembled top-shell
	Z846R	Circuit covering cap, 1 pc.
	Z350FNM	E350 - E340 - E370 bottom-shell black
	Z370CNMR	E370 assembled top-shell black
	Z641NM	Lock set
	Z641NTM	Lock set (for TECH version)
5	Z159R	Bag lock lining, 1 pcs.
6	Z112R	Red pulley, 4 pcs.
7	Z115R	Stop bag opening yarn, 2 pcs.
8	Z635R	Pin. D. 04x48 mm, 2 pcs.
10	Z1235	Injection covering cap
11	Z191R	Push button spring, 1 pcs.

12	Z761NR	Bolt, 1 pcs.
13	Z645R	Push button red
13	Z645CR	Opening push button chromed
14	Z140R	Key locks with corresponding bush with red handle
14	Z661A	Key locks with corresponding bush with silver handle
15	Z641NR	Hinge black
16	Z637R	Pin. D. 04x75 mm, (1 piece)
17	Z1384R	Cylinder spring and steel spheres, 1 kit
18	Z721R	Pin. D. 04x85 mm
19	Z640R	Plate below lock for standard key
	Z4513R	Plate below lock for Security Lock key
20	Z644R	Opening push button, red, 1 pcs. (for top-case V46)
20	Z644NR	Opening push button black
21	Z632R	Steel torsion spring
22	Z643R	Lock set element red, 1 pcs.
22	Z643NR	Lock set element black
23	Z409R	Name holder, 1 pcs.
24	Z647R	Torsion spring, 1 pcs.